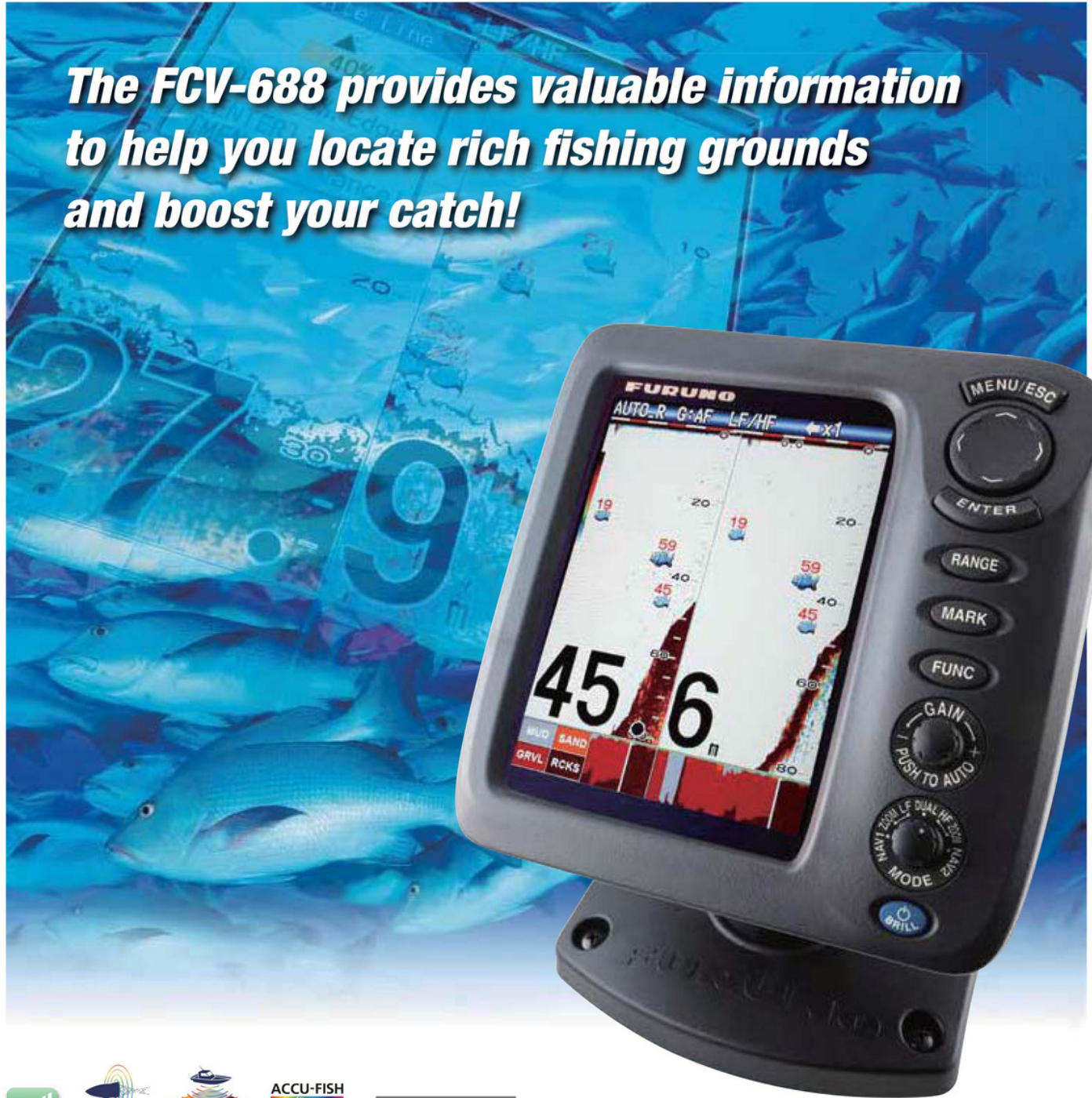




# 5.7" COLOR LCD FISH FINDER

## Model **FCV-688**

*The FCV-688 provides valuable information to help you locate rich fishing grounds and boost your catch!*



Non-CEMarking



## The FCV-688 knows fish size and bottom

- ▶ **Equipped with Furuno's latest technology: the Bottom Discrimination Function - Analyze bottom structure\***
  - Provides an at-a-glance recognition of bottom form with four types of graphical displays (Rocks/Gravel/Sand/Mud) when connected to required thru-hull or transom mount transducer.
  - \* Thru-hull or transom transducer mount required
- ▶ **ACCU-FISH™ - A unique fish size analyzer based on the latest digital technology**
- ▶ **White Line feature - Discriminate fish lying near the bottom**
  - The top edge of the sea floor is displayed in white to clearly show structures.
  - This feature helps to discriminate bottom fish distinctly.
- ▶ **Configurable Alarm function (depth, fish echoes, etc.)**
- ▶ **Post-processing Gain Control applied to all echoes displayed on the screen**
- ▶ **Share and display information on a chart plotter\***
  - Furuno's TLL (Target Lat/Lon) output allows you to interface the FCV-688 with your chart plotter so that you can mark fishing spots with various information (L/L, Depth, Water Temp, Fish size, Bottom).
  - \* Required connection to chart plotter.
- ▶ **Fast transmission rate of 3,000 PRR (Pulse Repetition Rate) per minute (at 5 m depth range)**



### "ACCU-FISH™" identifies individual fish with size and fish mark function

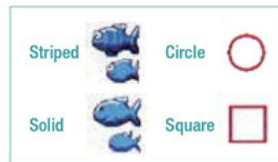


#### Recognizes individual or multiple fish instantaneously

ACCU-FISH™ is a revolutionary fish size assessment function of the FCV-688. In order to assess individual fish size, the echo strength from the fish needs to be computed and turned into fish size display on the screen. It can detect the fish size of 10 to 199 cm, in the depth of 2 to 100 m.

#### Displaying fish marks

The fish mark can be utilized to display on individual fish echoes when detected. It helps beginners to identify the fish targets on the display for a more fun fishing experience. Fish mark is selectable from two types of fish symbol, circle and square. The fish symbol, displayed in two different sizes (Large: over 50 cm, Small: 10 to 49 cm), is a great help for anglers to identify fish targets. Circle and square identify targets without hiding fish echo.



#### Displaying fish size or fish depth

Activating the ACCU-FISH™ from the menu, FCV-688 displays fish size on the individual fish echo. When the ACCU-FISH™ is used concurrently with fish marks, it greatly helps anglers to identify fish targets on the display. You may also select and display the target depth instead of fish size, which helps to see how far the fish is from the boat.



Circles or squares with fish sizes are displayed on fish echoes. When in dual frequencies mode, you can set the mark displayed on both or either frequency screen.

*In some instances, fish size indicated on the FCV-688 may differ from its actual size. Please carefully read the operation manual prior to utilizing this feature.*





## structure under your boat!

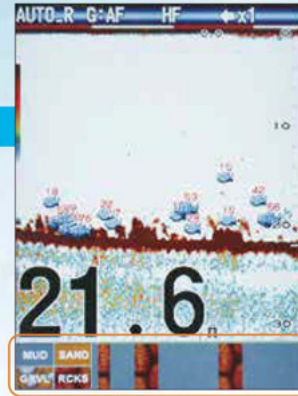
### Bottom Discrimination feature

The FCV-688's Bottom Discrimination feature enables the fish finder to indicate if a major component of the bottom is mud, sand, gravel or rocks. The Bottom Discrimination feature provides you with valuable information to locate rich fishing grounds, while boosting your catch of the day.



#### Probability mode

The probability display mode shows the most probable bottom composition in graph form.



#### Graphic mode

The standard graphic display mode shows the most probable bottom composition by graphic or four colors.

Please keep the following in mind when using the Bottom Discrimination Sounder:

- 1) Use at a depth of 5 m - 100 m.
- 2) Use transducer in transom mount or thru-hull mount.
- 3) Set the transducer parallel to the bottom of the craft.
- 4) To show a consistent display of the actual bottom, set the range display of the fish finder screen to "auto".
- 5) Enter the ship's draft value.
- 6) Use a ship speed of 10 kn or less.
- 7) In some instances, bottom component indicated on the FCV-688 may differ from its actual bottom structure. Please carefully read the operation manual prior to utilizing this feature.

### White Line function distinguishes fish from bottom

The white line function helps you distinguish bottom fish from the bottom by changing the strongest signal color to white. This function is not only useful discriminating bottom fish but is also valuable for judging fish school density. The setting range is 0%-100%, in intervals of 1%. The higher the value the thicker the line.

#### Field Test

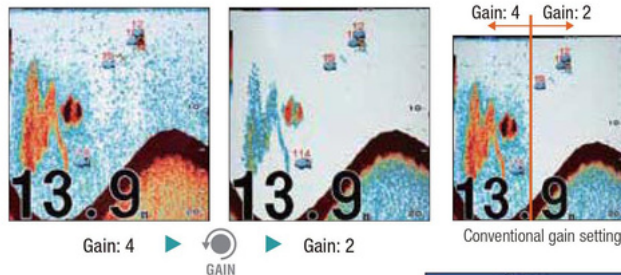
#### Screenshot from fish reef in lake:

Many fish marks appears on the screen in the thick weed bed. The white line function helps distinguish bottom and weed from the actual fish.



### Post-Processing Gain Control

With conventional gain controls, changes are made for new echoes only when a change in the setting is applied. With the FCV-688's Post-Processing Gain Control, changes in the gain setting are applied to new echoes as well as all of the echoes already on the screen. Because the changes are applied to both new and existing returns, you will be able to quickly and easily find the right gain setting for your conditions.



### Fish Alarm function

When fish echoes come in the area which you set above the bottom, beeps sound and the alarm icon flashes at the top right corner of the screen. Furthermore, an integrated alarm setting is also available that can be set by every and each condition, including water depth, target depth, water temp, bottom component, etc.

Setting	
Name	:ALARM
Sound	:Sound1
Fish Type	:ACCU-FISH
From	:4inch
Scan	:4inch
Fish Level	:Medium
Depth	
From	:0m
Scan	:430m
Temperature	:Off
From	:20.0°C
Scan	:1.0°C
Bottom Type	:Gravel
From	:0m
Scan	:430m
▲/▼/◀/▶	: Select
(ENTER)	: Enter
(MENU)	: Back





## Swivel mounting bracket to adjust the angle of the display unit

The gimbal mount allows the display unit to swivel around when desktop mounted. You can adjust the angle of the display to get the optimum viewing angle.



## SPECIFICATIONS OF FCV-688

### GENERAL

Frequency 50 and 200 kHz  
Output Power 600 W

### DISPLAY

Display Type 5.7" color LCD  
Effective Display Area 87.1 (W) x 116.2 (H) mm  
Pixel Number 640 x 480 (VGA)  
Display Single frequency (50 or 200 kHz), Dual-frequency, Zoom, Nav data, A-scope, Marker zoom, Bottom zoom, Bottom-lock, Bottom Discrimination, ACCU-FISH™

Basic Range 2-1200 m\*

Alarm \*m, ft, fm, HR, pb can be selected in the menu  
Bottom, Fish (Normal), ACCU-FISH™, Fish (B/L), Bottom Discrimination, Fish Level, Temperature, Speed, Arrival and Battery

Language CV-688C: Chinese, English  
CV-688E: English, French, Spanish, Thai, Vietnamese, Indonesian, Burmese

Range Phasing up to 1200 m  
Expansion Range Bottom-lock expansion: 2-10 m  
Sectional expansion: 2-1200 m

Picture Advance Speed 8 steps: stop, 1/16, 1/8, 1/4, 1/2, 1, 2, 4

Pulselength & PRR Interface 0.1-3.0 ms, Max 3,000 pulse/min  
(Input) BWC, GGA, GLL, GNS, HDG, HDT, MDA, MTW, MWV, RMA, RMB, RMC, VHW, VTG, XTE, ZDA  
(Output) DBS, DBT, DPT, MTW\*, RMB\*, VHW\*, TLL\* by key operation  
\* External data required.

### ENVIRONMENT

Temperature -15°C to +55°C  
Waterproofing IP55

POWER SUPPLY 12-24 VDC, 13W

### EQUIPMENT LIST

#### Standard

1. Display Unit CV-688E/688C (for Chinese)
2. Installation Materials and Standard Spare Parts

#### Option

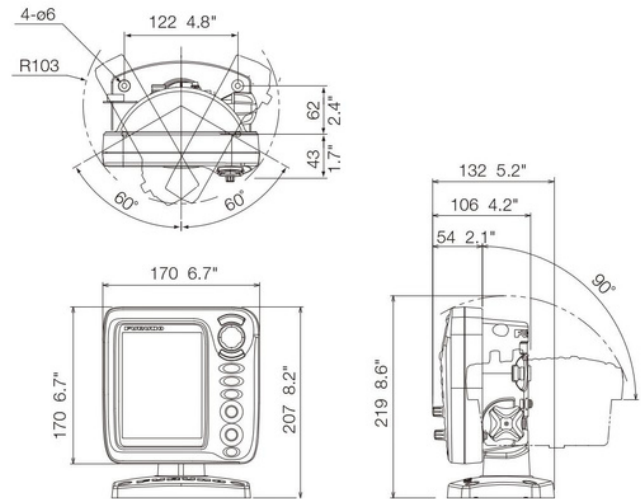
1. Speed/Temperature Sensor ST-02MSB (Thru-hull, bronze), ST-02PSB (Thru-hull, plastic),
2. Connector Kit for Connection of Speed & Temperature Sensor or Temperature Sensor
3. NMEA+Power Cable

### Transducers (Specify when ordering)

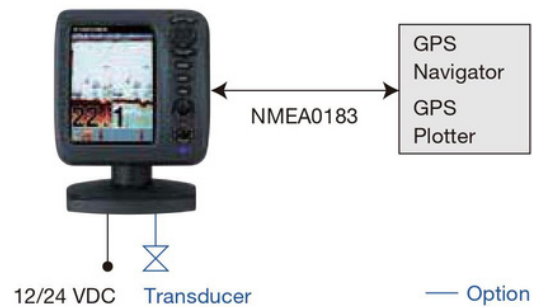
520-5PSD (Plastic thru-hull), 520-5MSD (Bronze thru-hull), 525STID-MSD (Bronze thru-hull with a speed/temp sensor), 525STID-PWD (Plastic transom with a speed/temp sensor)

### DISPLAY UNIT

Bracket Mount 1.3 kg 2.9 lb



### INTERCONNECTION DIAGRAM



Beware of similar products

All brand and product names are registered trademarks, trademarks or service marks of their respective holders.

SPECIFICATIONS SUBJECT TO CHANGE WITHOUT NOTICE  
PLEASE READ MANUAL BEFORE USING THE UNIT

